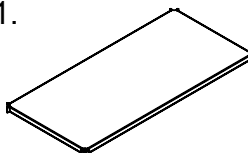
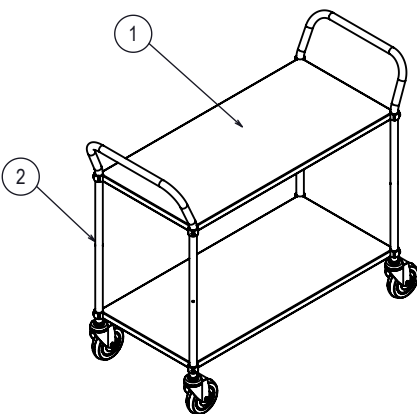
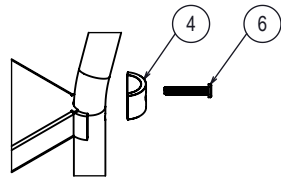
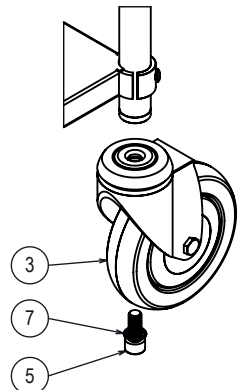
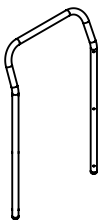




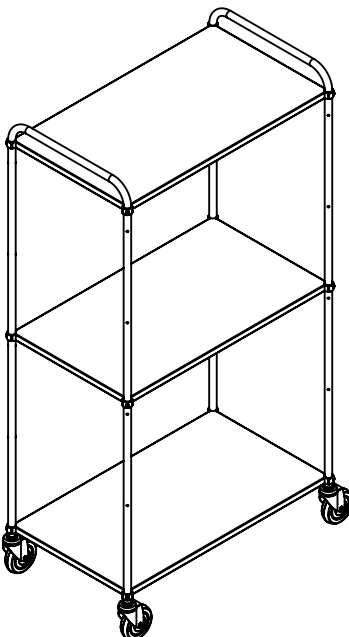

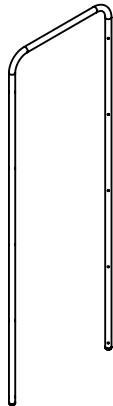


# SHELF TROLLEY

	1	2	3	4	5		
1.		2x	3x	3x	4x	5x	<p><u>1</u></p>   
2.		2x	2x	-	-	-	
3.	 Ø125	4x	4x	4x	4x	4x	
4.		8x	12x	12x	16x	20x	
5.	 M10x25	4x	4x	4x	4x	4x	
6.	 M6x35	8x	12x	12x	16x	20x	<p><u>3</u></p> 
7.	 Ø10	4x	4x	4x	4x	4x	
8.		-	-	2x	2x	2x	
							<p><u>5</u></p> 