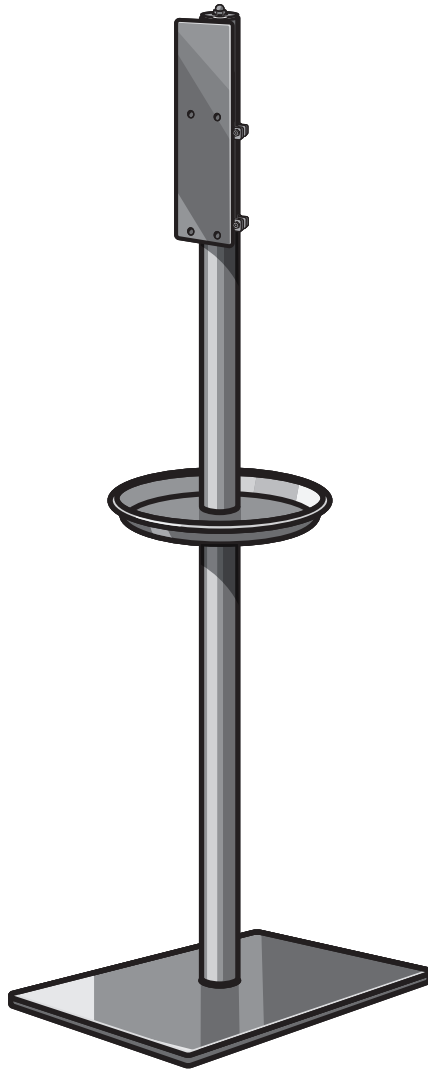


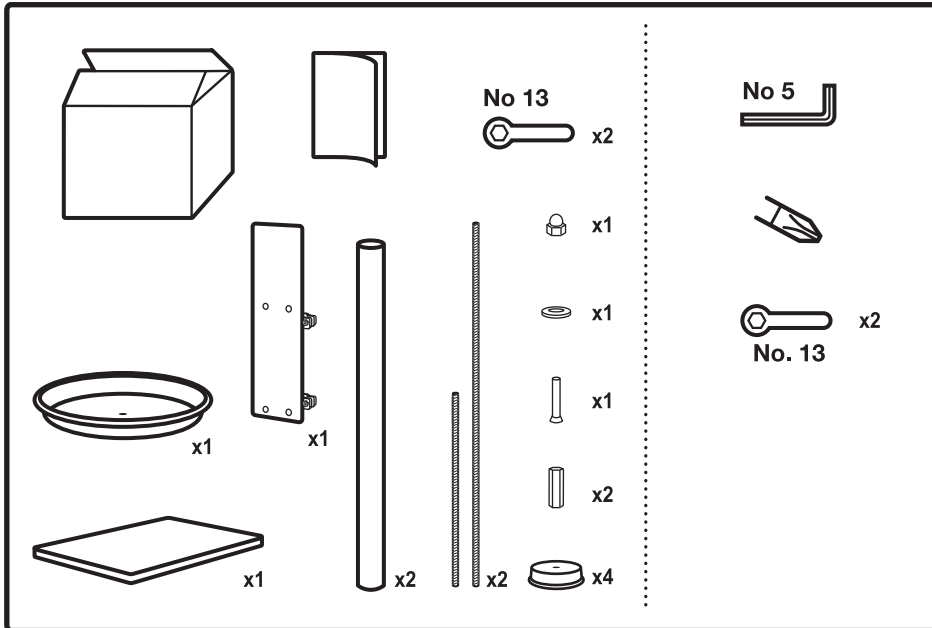
Tork Sanitizer Stand

S1

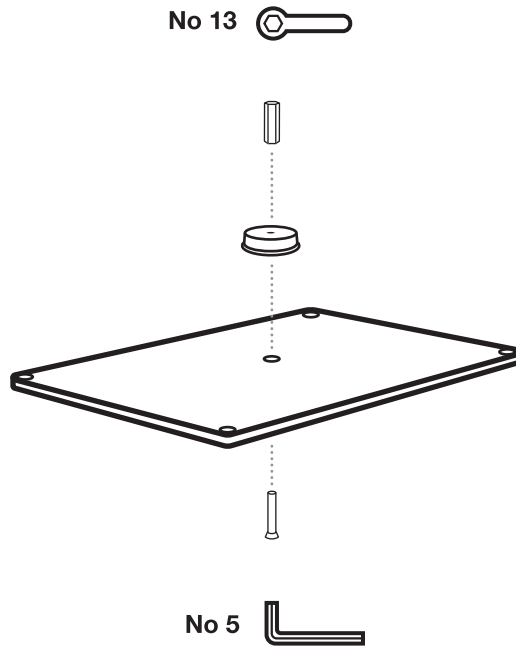
S4



Tork Sanitizer Stand



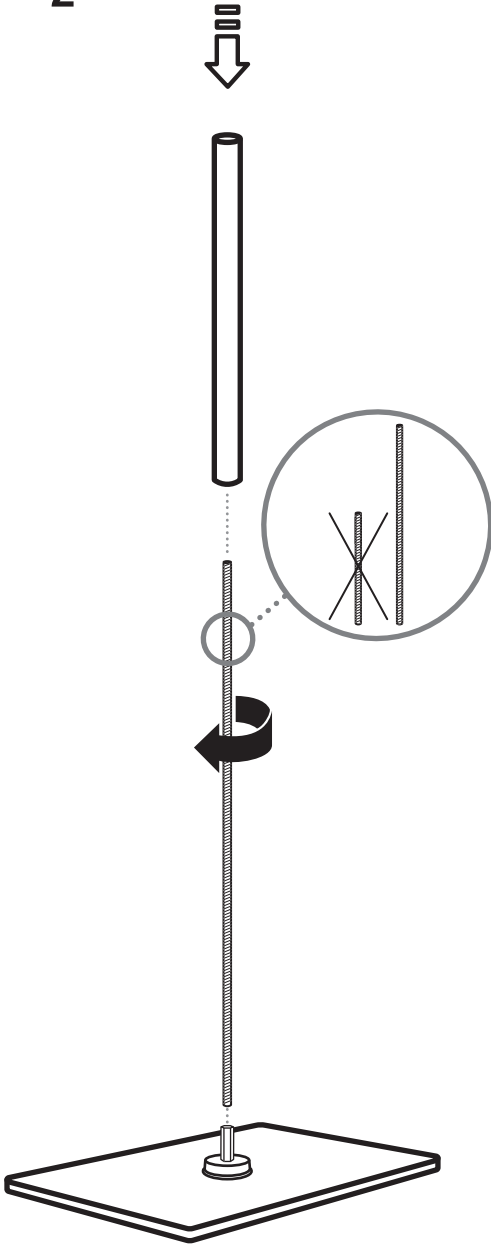
1



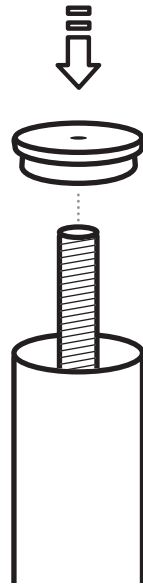
1

Tork Sanitizer Stand

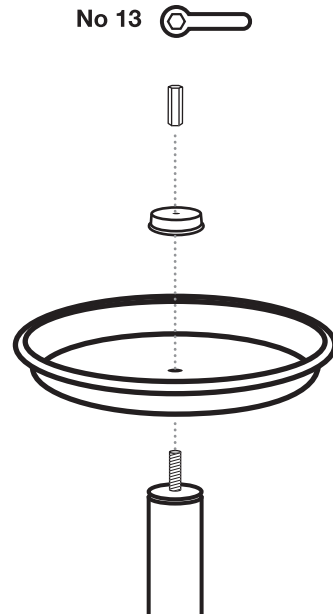
2



3

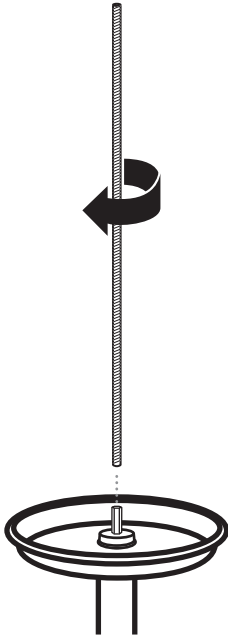


4



Tork Sanitizer Stand

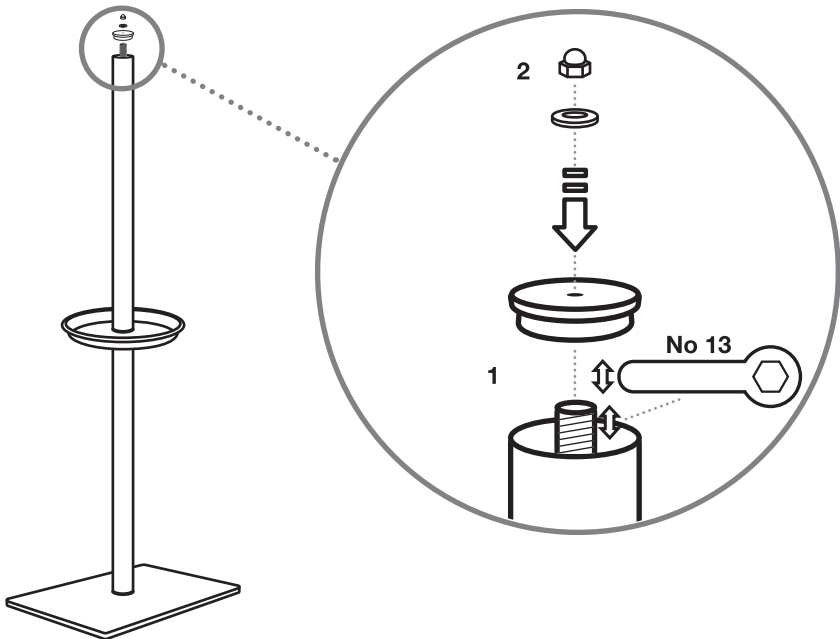
5



6



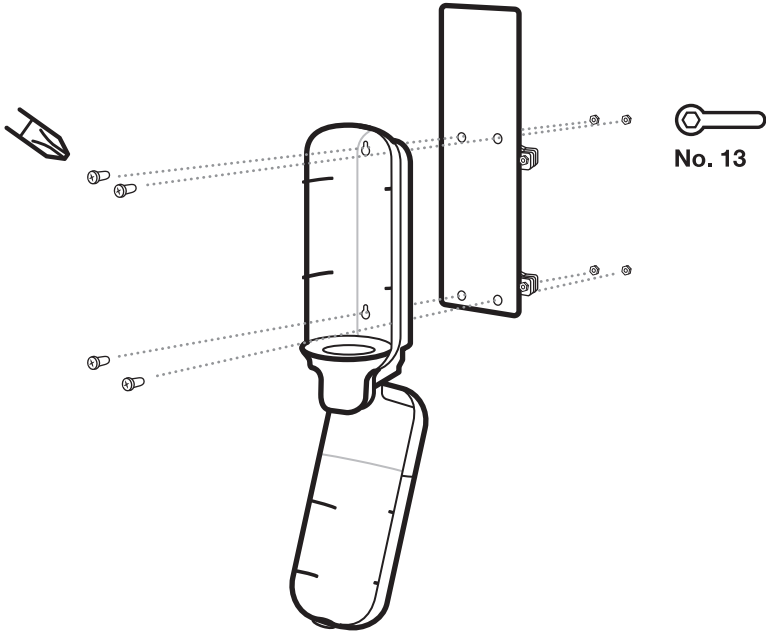
7



3

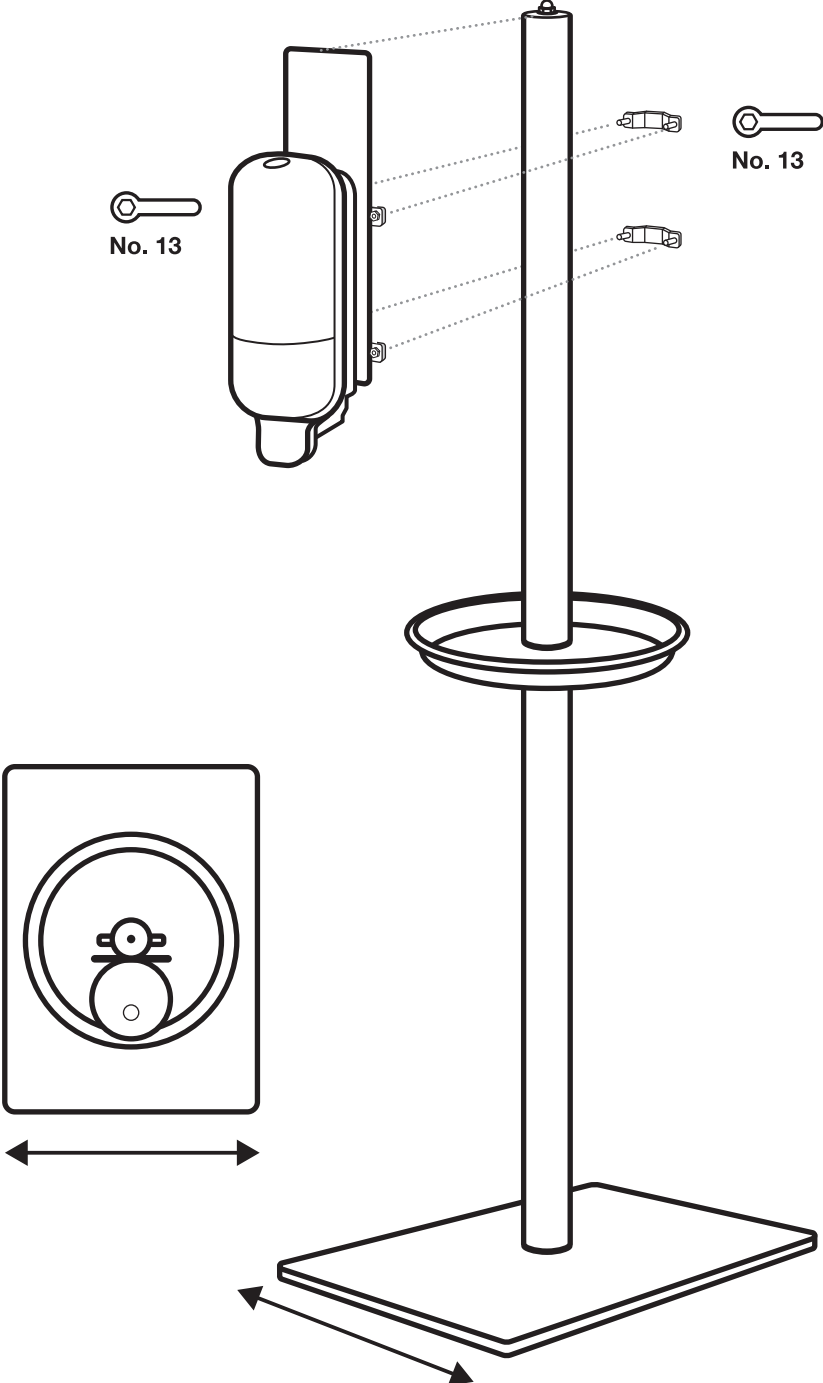
8

Tork Sanitizer Stand



Tork Sanitizer Stand

9



Warnings

- **Supervise children in vicinity of stand**
this stand is not suitable for use in primary schools and kindergartens
- **Do not place in way of evacuation routes or disability access**
- **Ensure that stand is placed in such a way it cannot fall and damage fragile objects**
- **This stand is not suitable for installation outdoors or in wet environment. It is not water resistant**

Disposal

- **Damaged or malfunctioning product should be disposed of immediately to avoid potential injury**
Products should be disposed of in accordance with applicable regulations

Cleaning instructions

- Clean stand with mild detergent and soft cloth



Manufactured by Essity Hygiene and Health AB
SE-405 03 Göteborg, Sweden
Visiting address: Mölndals Bro 2, Mölndal
www.essity.com, www.torkglobal.com
Made in Sweden
Patents/Brevets/Patentes: www.essity.com/patents