

**Load per column and per arm.**

Maximum uniformly distributed load, according to an optimal configuration.

MEDIUM-DUTY CANTILEVER  
Load capacity per column 200x80x3.

Height	2 000 mm	2 500 mm	3 000 mm	3 500 mm	4 000 mm
Single sided	2 240 kg	1 925 kg	1 700 kg	1 520 kg	1 390 kg
Double sided	4 480 kg	3 850 kg	3 400 kg	3 040 kg	2 770 kg

Load capacity per arm

Arms	Profile		
	80 x 60 x 3 mm	80 x 40 x 2 mm	40 x 40 x 2 mm
Lengths			
400 mm	800 kg	320 kg	180 kg
500 mm	600 kg	250 kg	140 kg
600 mm	500 kg	200 kg	120 kg
700 mm	400 kg	150 kg	100 kg
800 mm	350 kg	130 kg	90 kg
1 000 mm	275 kg	95 kg	70 kg
1 200 mm	200 kg	70 kg	X

**Maintenance and guarantee**

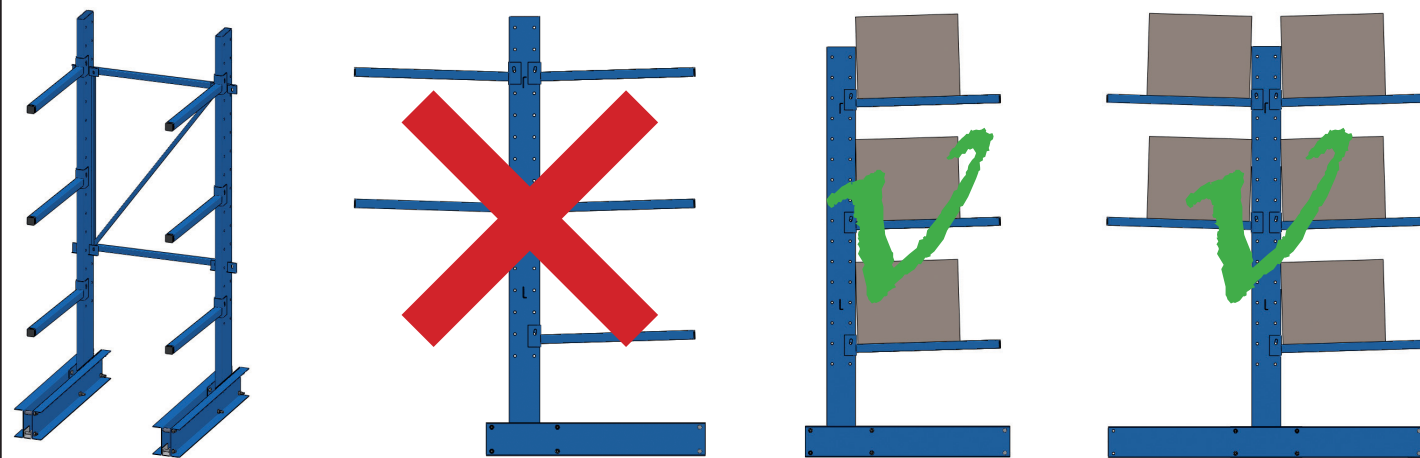
**CANTILEVER maintenance:**

Steel CANTILEVER structures may be washed with any detergent that does not damage paintwork EPOXY (in this case, avoid detergents containing chlorine). Users are required to check the tightness of the structure's bolts once a year.

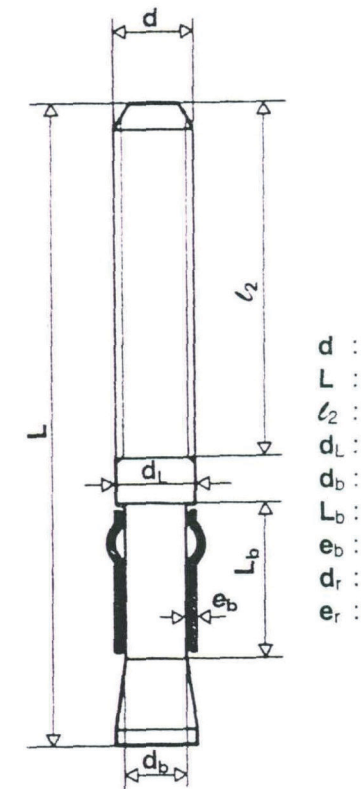
**Modifications to the structure:**

Any modification of the structure or replacement of any element requires consultation with your supplier, who will in turn contact the manufacturer. Also, in case of impact, if the structure has any cracks or deformations, you must stop using the CANTILEVER.

**Terms of use:**

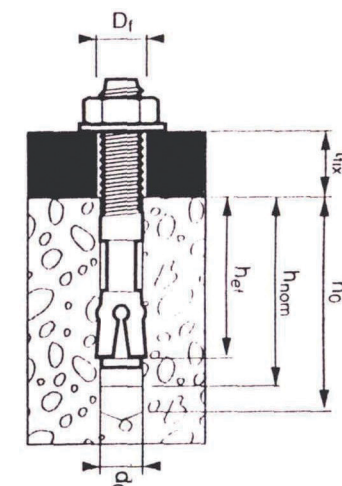


**Diagram of the pin and conditions of implementation**



- d :
- L :
- L<sub>2</sub> :
- d<sub>1</sub> :
- d<sub>b</sub> :
- L<sub>b</sub> :
- e<sub>b</sub> :
- d<sub>r</sub> :
- e<sub>r</sub> :

References	Zn code	d	L	L <sub>2</sub>	D <sub>f</sub>	D <sub>b</sub>	L <sub>b</sub>	e <sub>r</sub>	d <sub>r</sub>	e <sub>r</sub>
12-40/100	50630	M12	100	55	12	9,1	25,7	1,1	27	2,5

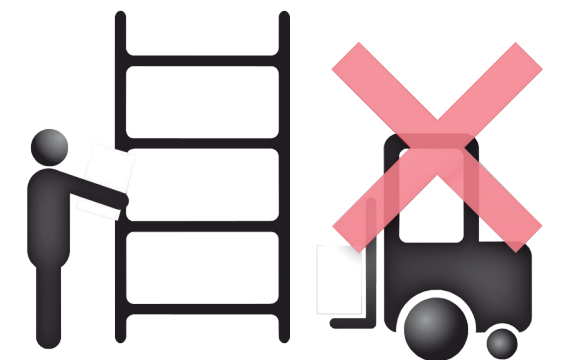
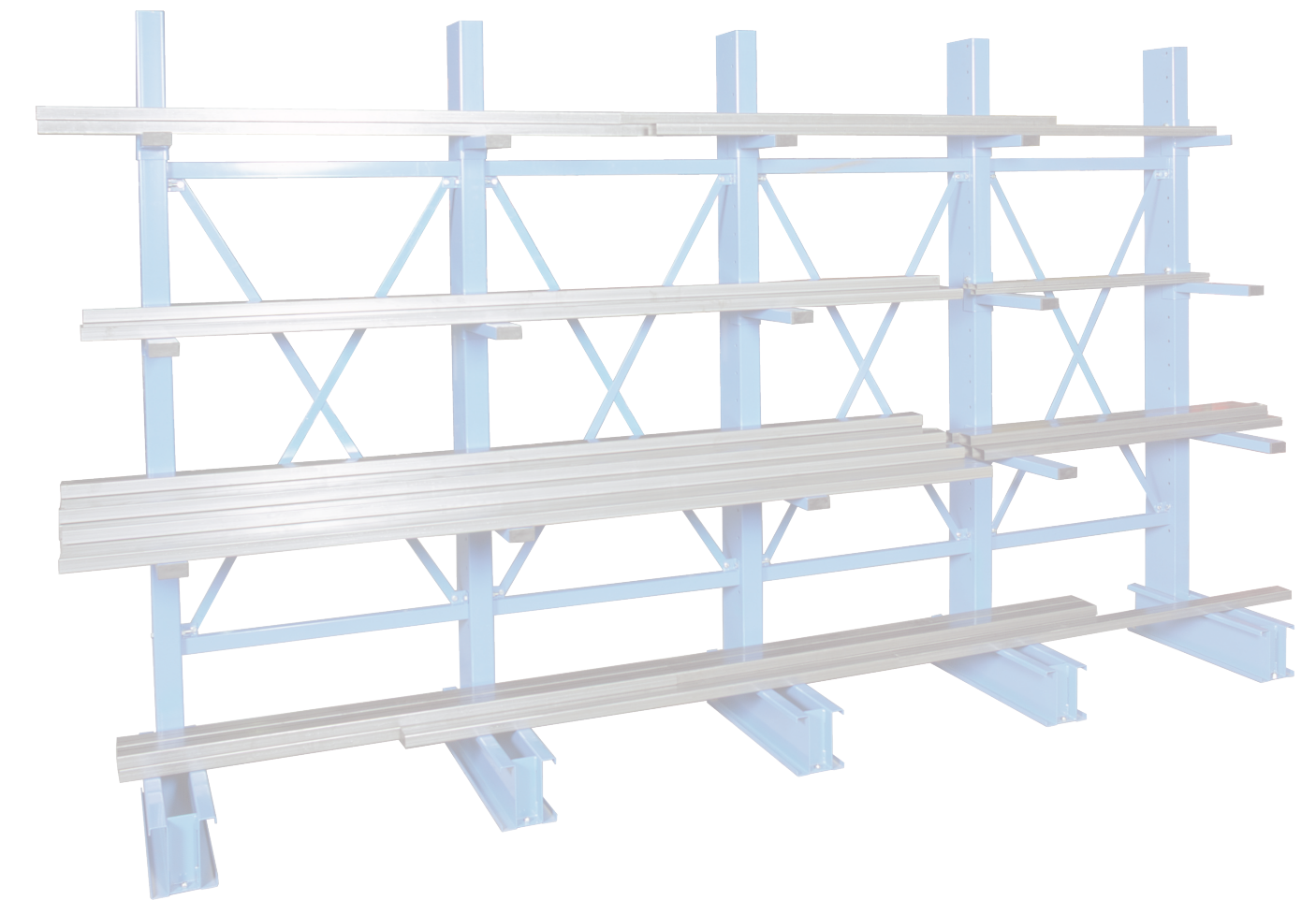


References	h <sub>ef</sub>	h <sub>nom</sub>	t <sub>fix</sub> (*)	t <sub>fix2</sub> (**)	d <sub>o</sub>	h <sub>o</sub>	D <sub>f</sub>	Key to use
12-40/100	45.4	60	40	35	12+0.5	72	14	18

\*tfix1 thickness of a part to be fixed for placement not through the part (pre-expansion of the pin before assembly of the part)

\*\*tfix2 thickness of a part to be fixed for placement through the part

# ASSEMBLY INSTRUCTIONS FOR MEDIUM-DUTY CANTILEVER

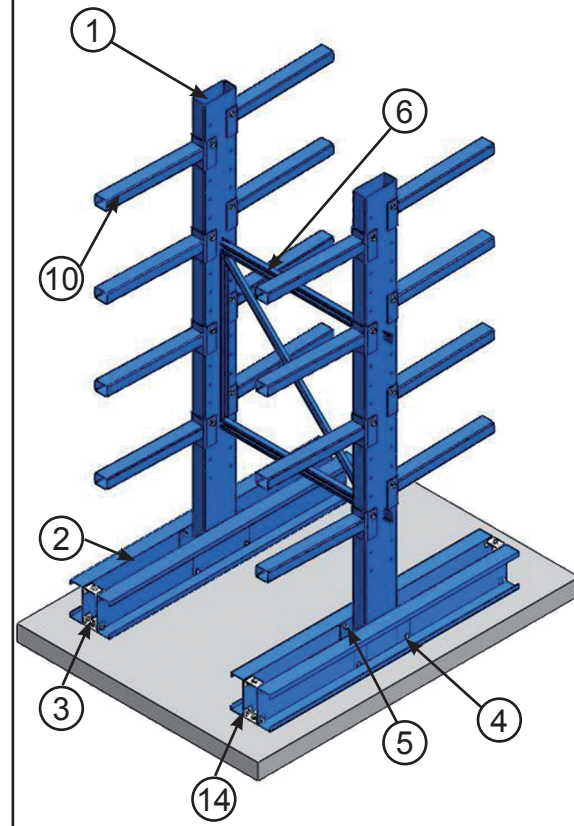


Before assembling, added to this document, please read carefully the « Using and maintenance Instructions » document Ref. NMU-GB-06-01, enclosed. Check that the floor is adequate, flat and can support the load.

# MEDIUM-DUTY CANTILEVER

## Instructions for assembly and use

### Nomenclature



Rep.	Description	Quantity	
		Single	Double
Number of parts per MEDIUM-DUTY CANTILEVER column			
1	Column upright	1	1
2	Base profile	2	2
3	Plate for floor fixing	2	4
4	Screw H M12x20	12	16
5	Locknut Ø 12	12	16
Number of parts per MEDIUM-DUTY CANTILEVER bracing			
6	Frame	1	1
7	Screw CHC 8x20	4	4
8	Washer Ø 8	4	4
9	Locknut Ø 8	4	4
Number of parts per MEDIUM-DUTY CANTILEVER arm			
10	Arm	1	1
11	Screw H M12x130	1	1
12	Washer Ø 12	2	2
13	Locknut Ø 12	1	1
Floor fixing			
14	Anchor pin 12-40/100	1	2

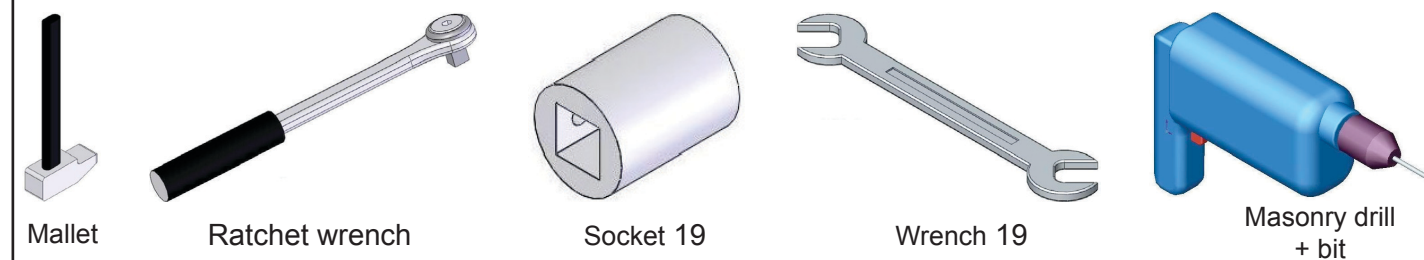
### Manual loading only

Check that the floor is adequate, flat and can support the load.

Cantilevers must be fixed on a floor with a strength rating greater than concrete strength class 16/20. Users are required to check the tightness of the structure's bolts once a year.

Essential: On the same face, the base must always be equal to or longer than the length of the arms.  
Make sure that the stored loads are not at risk of slipping and/or rolling out of their support arms  
Place the heaviest loads at the base of the CANTILEVER.

### Tools required for assembly



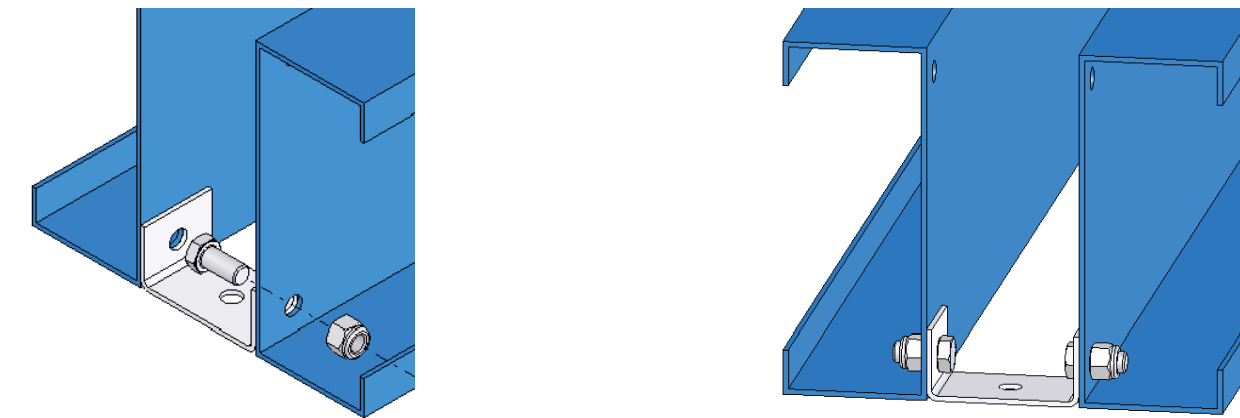
FBE 905-A

Page 2/6

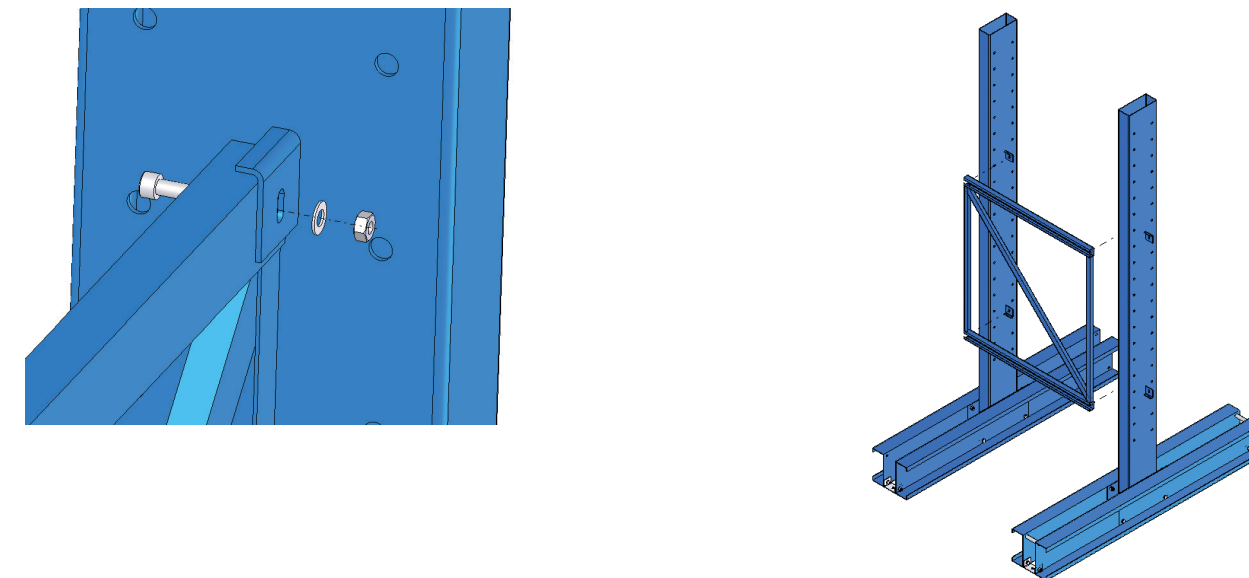
Fix the base profiles to the column upright. (2 x 4 screws H M12 x 20 + locknuts)



Screw on the fixing plates. (2 screws H M12 x 20 + locknuts)



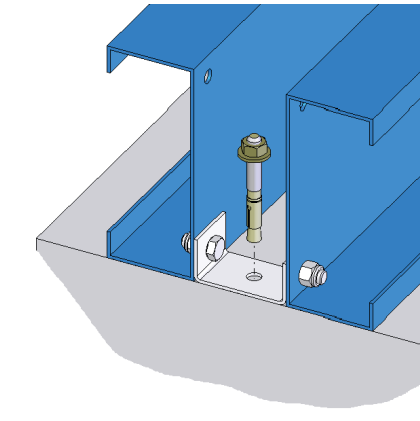
Assemble the frame. (4 screws CHC M8 x 20 + washer + nuts H)



FBE 905-A

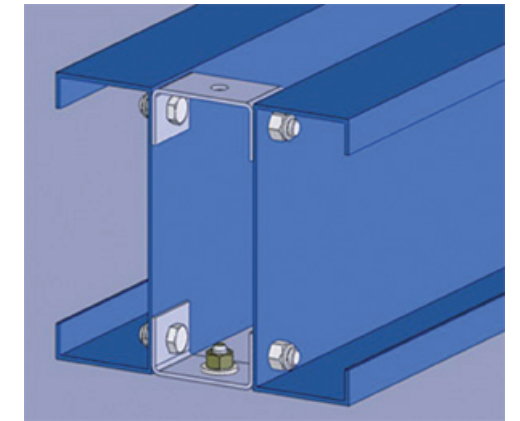
Page 3/6

Anchor the columns to the floor



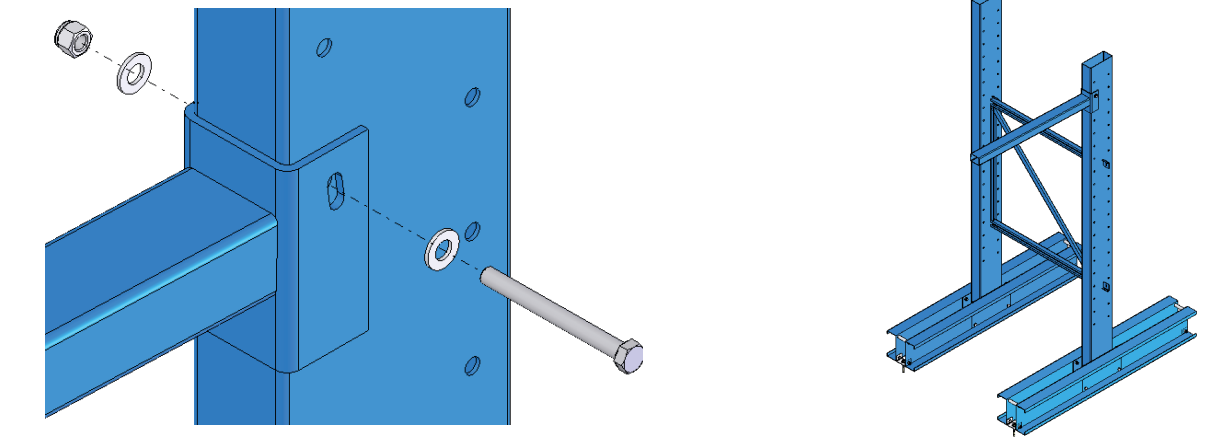
Anchor pin 12-40/100

Fix the upper plates

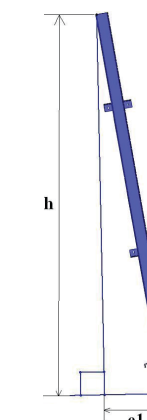


Screws H M12 x 20 + washer + locknut

Position and bolt the arms onto the columns.



Screws H M12 x 130 + washers + locknut



Deviation permitted:  
 $E1 < 0.0035 \times h$   
Inclination of the columns of a cantilever must meet the requirements of EUROCODE III mentioned above.

FBE 905-A

Page 4/6