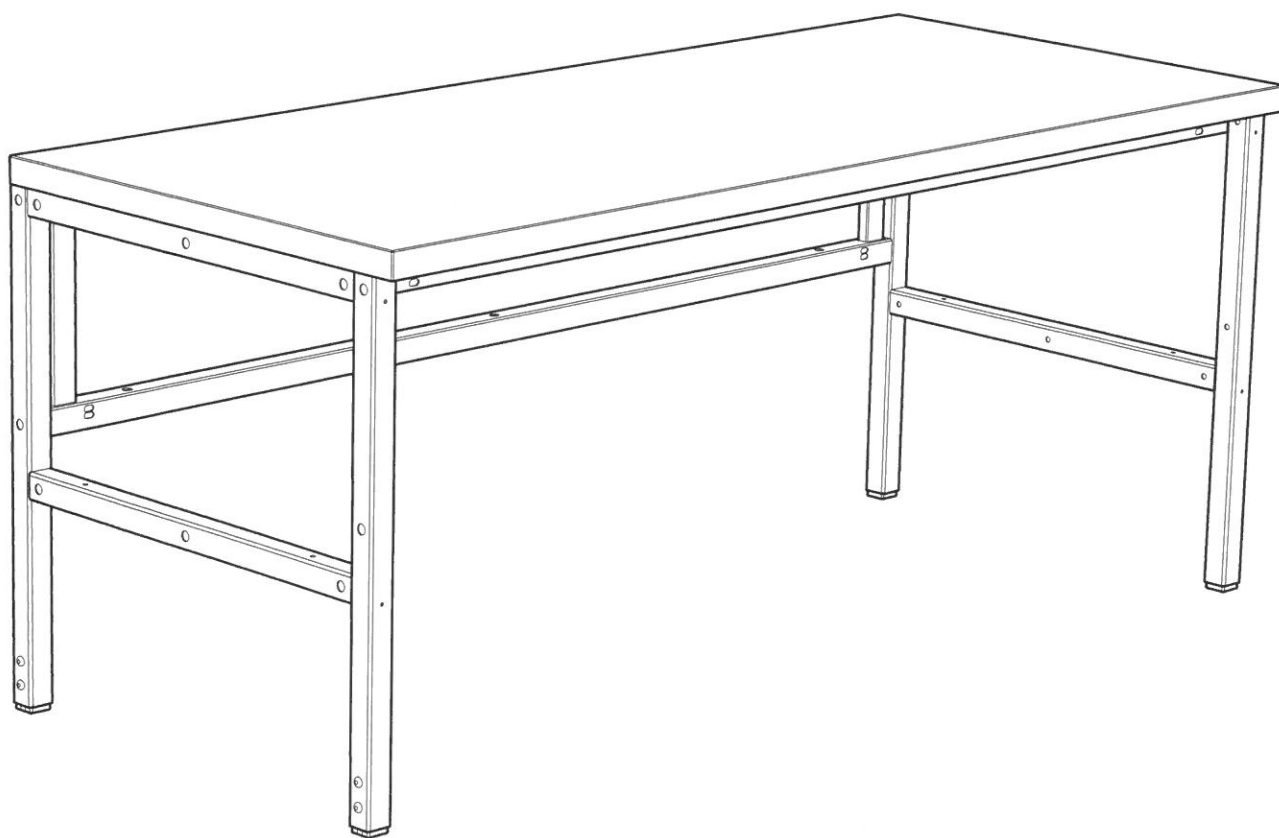


# WFI

WORKPLACES FOR INDUSTRIES

# Bord



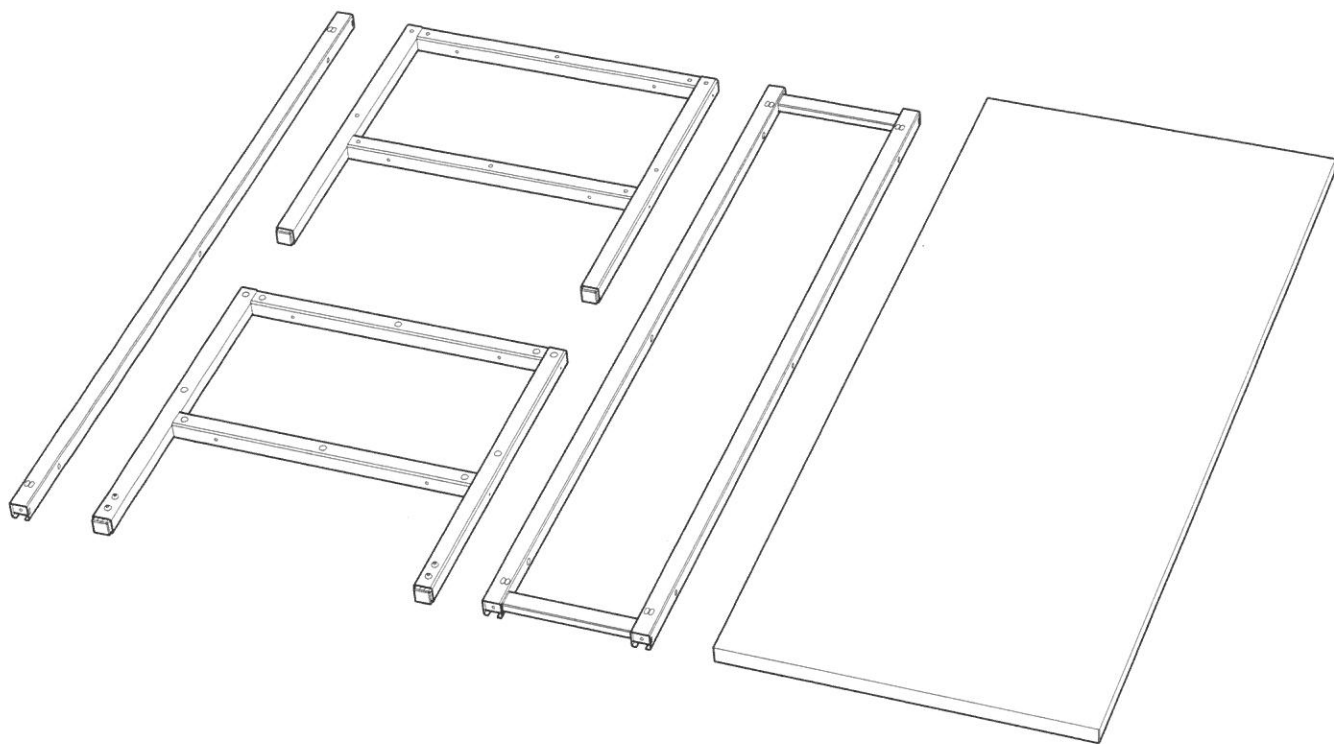
WFI AB

ADDRESS: Lidångsvägen 5, 335 32 Gnösjö

TELEPHONE: +46 (0) 370 37 13 00

EMAIL: [info@wfiab.se](mailto:info@wfiab.se)

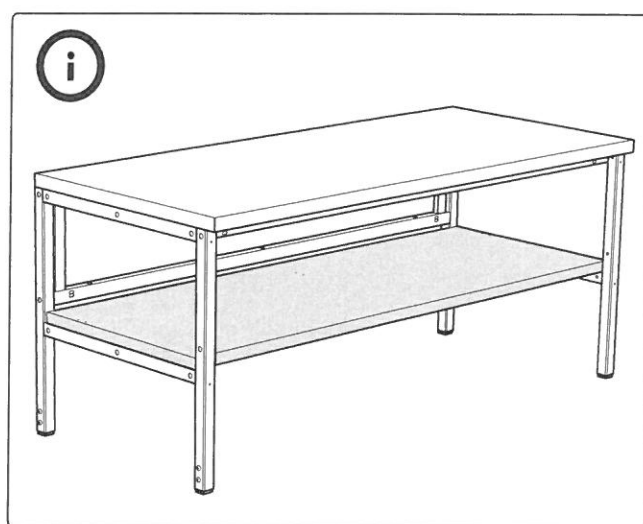
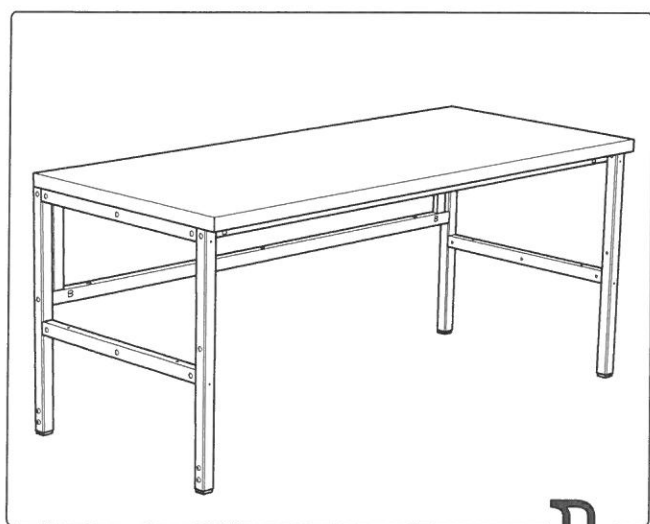
WEB: [www.wfiab.se](http://www.wfiab.se)

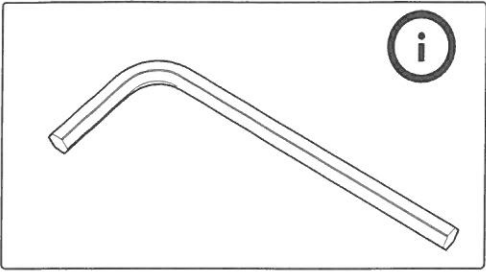


6x

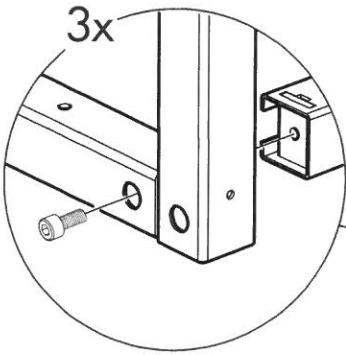
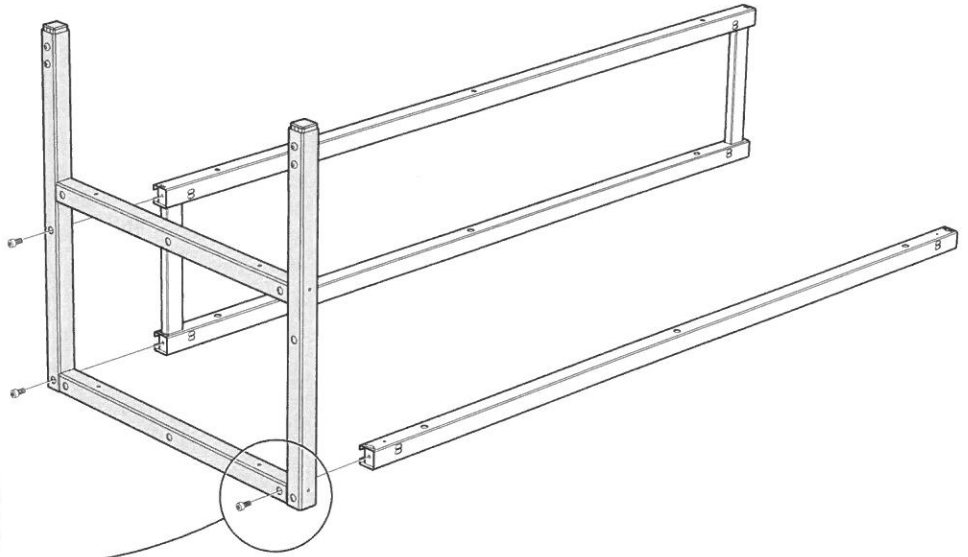


6x

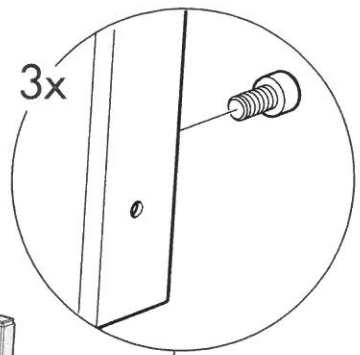
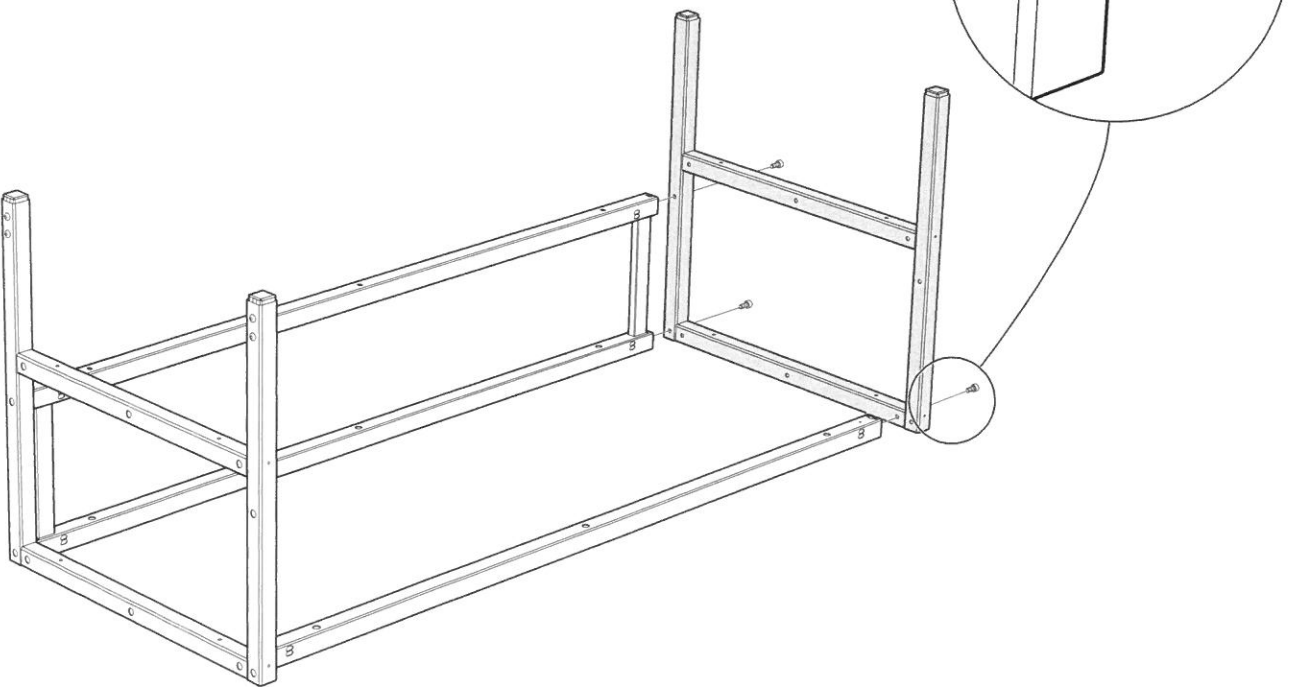




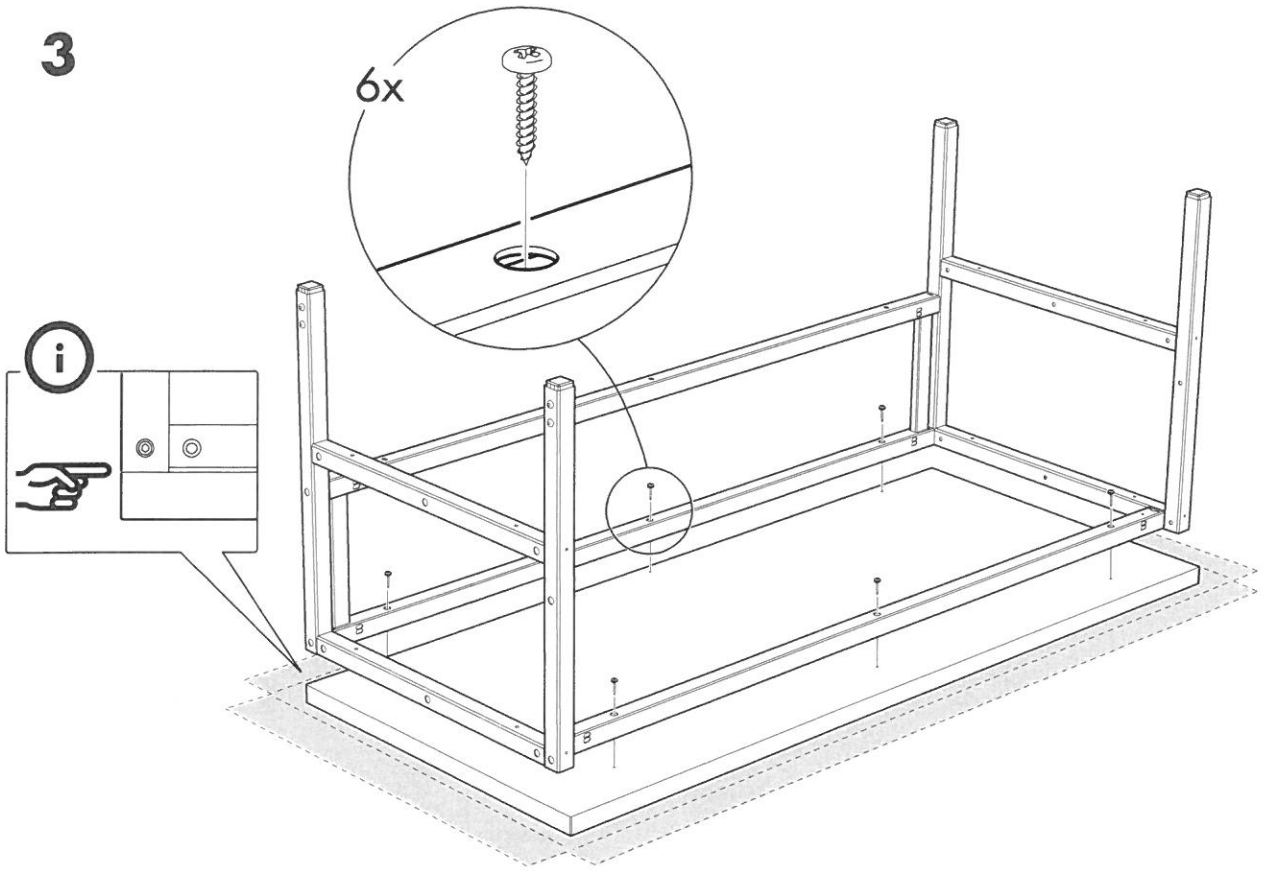
**1**



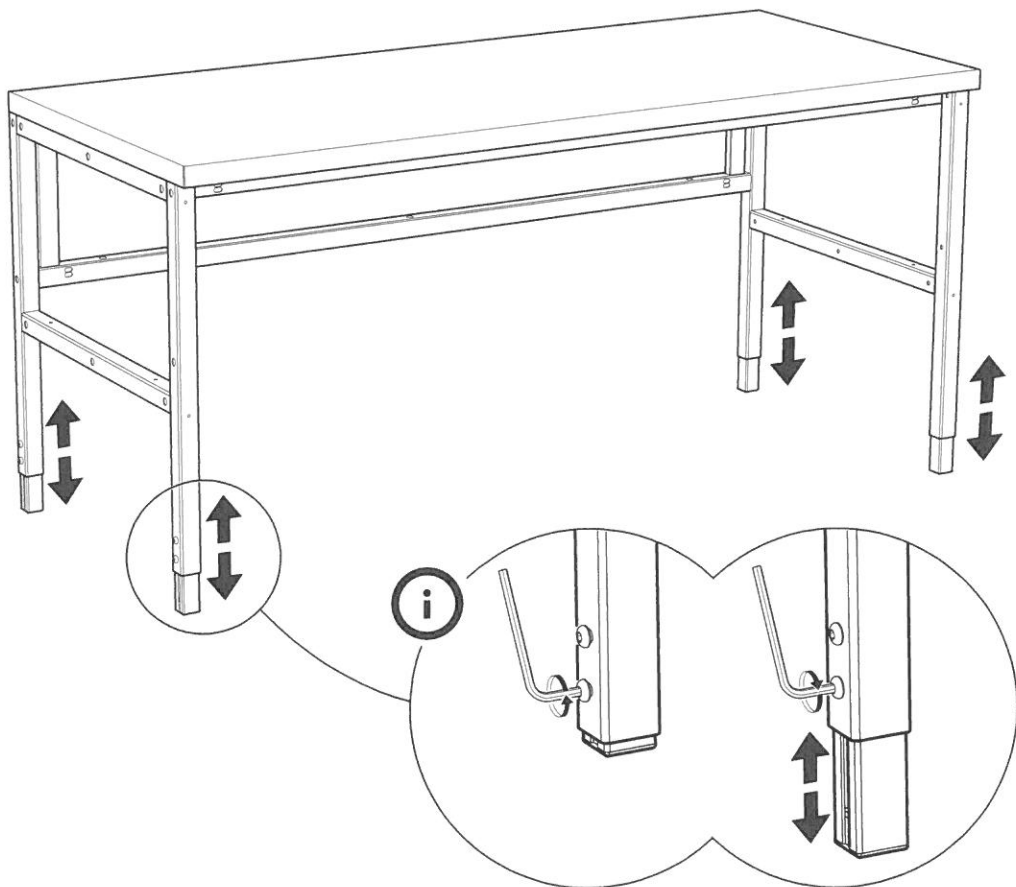
**2**



3



4





A 2x M8x70

B 2x 8,5x22

C 2x M8

