

Use and Maintenance

- SW4000

ATTENTION! Do not use the machine before you have read and understood the Instructions for User Manual



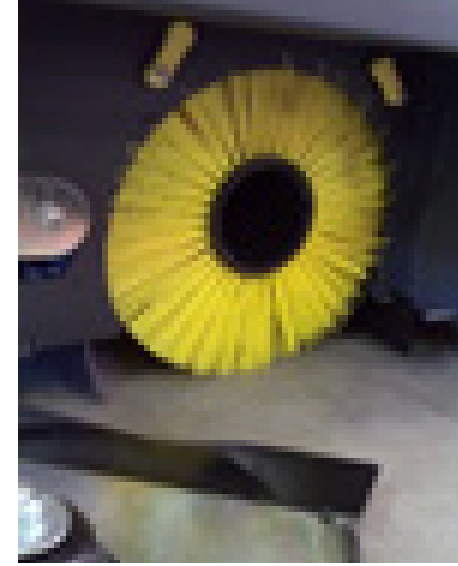
1. Check the diesel fuel tank level/LPG bottle/ Battery charge. In case refill/change the LPG bottle.



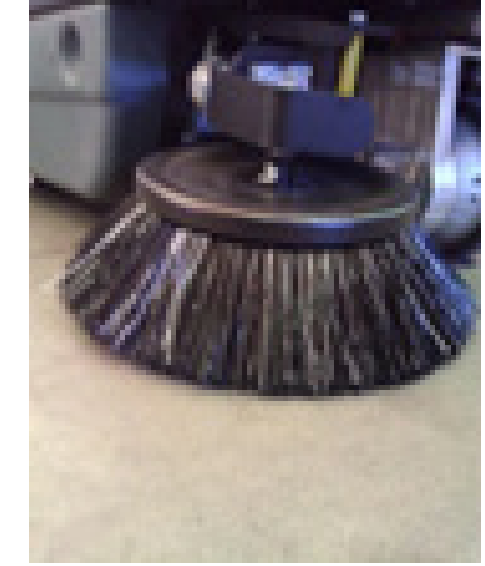
2. For the battery version check the battery voltage and charge if needed.



3. Check the main broom bristles wear out.



4. Check that the main broom is freely rotate and free from ropes or debris.



5. Check the height of side brooms and their wear condition.



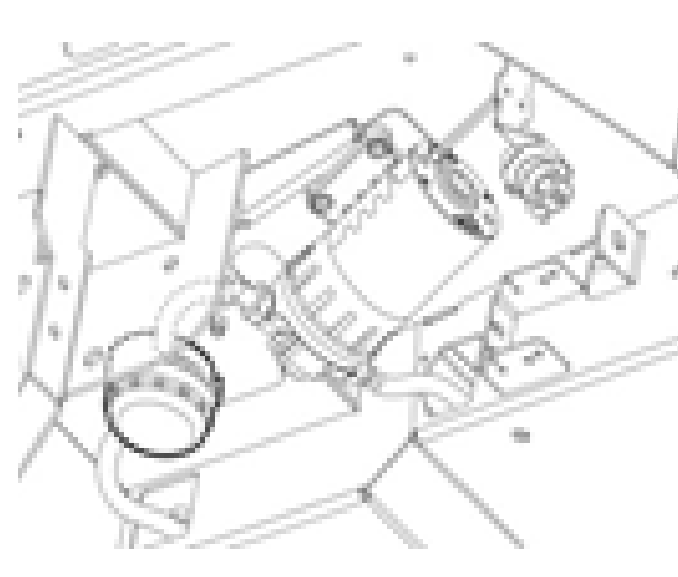
6. Inspect and blow with air the main dust control filter.



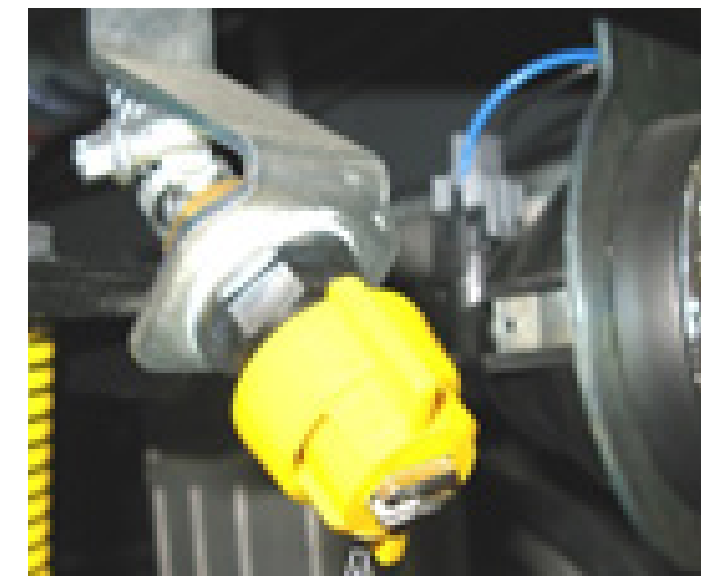
7. Before sweeping operate the filter shaker to clean the main filter from dust.



8. Check the hopper seal for good dust control.



9. If present check the water filter of the misting system



10. Check that water is coming from the nozzles.



11. Check the brakes. If needed check the brake's cable adjustment.



12. Check the main broom belt tension and general condition



If the machine has been used until the Red light illuminates on the battery level indicator on the machine, a full recharge of the batteries (10-12 hours) will be required. Failure to carry out this this procedure may cause damage to the batteries. Charging the batteries after every use is recommended.

PLEASE ENSURE RED SOCKET IS LEFT DISCONNECTED AFTER RECHARGE IF THE MACHINE IS NOT TO BE USED ON A DAILY BASIS